

32" 4K Medical Display

FM-E3203D FM-E3203DG

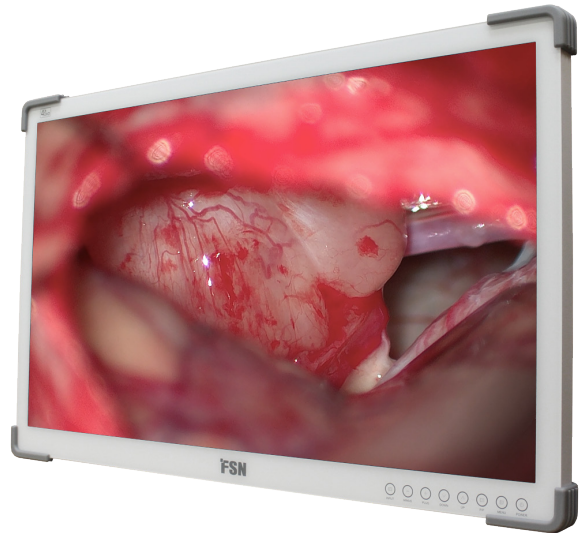


- Vivid colors plus high brightness level.
- Optical bonding for improved picture contrast.
- Fast detection of MIS camera system video.

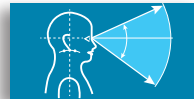


See Every Detail

The 4K UHD technology found in this monitor produces ultra-sharp picture clarity and high levels of detail. This greatly enhances images from endoscopic camera systems. The input source options on this monitor include DVI, HDMI, and DisplayPort. The FM-E3203DG model adds 3G and 12G SDI to the impressive selection of signal input choices.

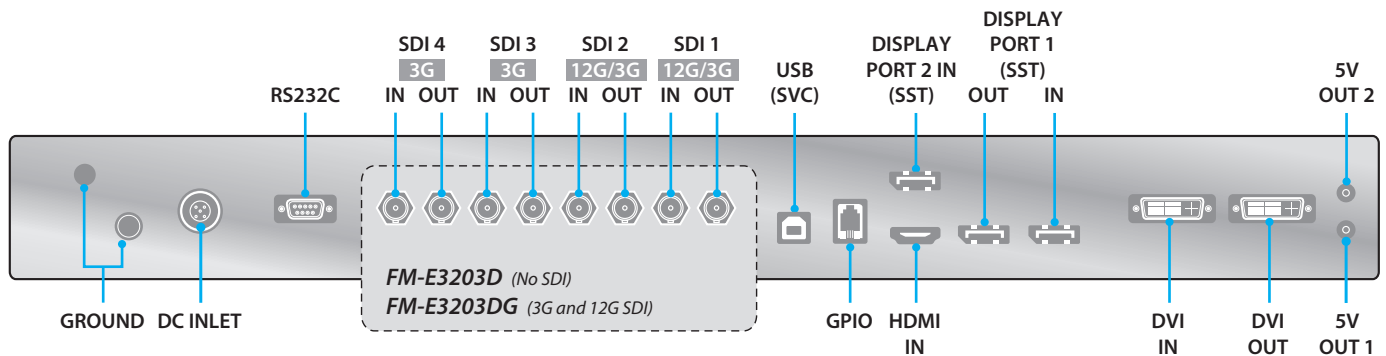


Edge-to-edge protective front glass gives this monitor a slim, sleek appearance, and allows for easy cleaning of the front surface. Protective guards on the bezel corners help reduce bumping injuries, especially in today's active operating room environments. A back cable cover is provided with each monitor to manage cords and wires.



Ergonomic Design

If an installation requires additional components to be used with the monitor, such as fiber optic or wireless receivers, there are built-in connections for DC 5 volt power. FSN monitors are designed with maximum viewing angles, allowing several clinicians to view the display in the same room without loss of image quality or distortion.



www.fsnmed.com

Foreseeson Custom Displays, Inc.
2210 E. Winston Road
Anaheim, CA 92806 USA
Tel: 714-300-0540
Fax: 714-300-0546

Latin America
Aventura, FL 33180 USA
Tel: 714-507-3855

Foreseeson Korea
404B, PangyoInnovalley B
253 Pangyo-ro
Bundang-gu Seongnam-si
Gyeonggi-do, Korea 463-400
Tel: +82-31-8018-0780
Fax: +82-31-8018-0786

Foreseeson GmbH
Industriestrasse 38a
63150 Heusenstamm, Germany
Tel: +49 6104 64398 0
Fax: +49 6104 64398 11

Foreseeson UK Ltd.
Unit 71 Barwell Business Park
Leatherhead Road
Cheshington, Surrey KT9 2NY
Tel: +44 (0) 208 546 1047

Foreseeson (Shanghai)
Medical Equipment Co., Ltd.
Room 307, 3F
No. 56, 461 Hongcao Road
Caohejing Development District
Xuhui, Shanghai 200233
Tel: 86-21-6113-4188

32" 4K Medical Display

FM-E3203D FM-E3203DG

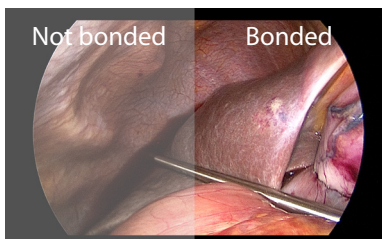
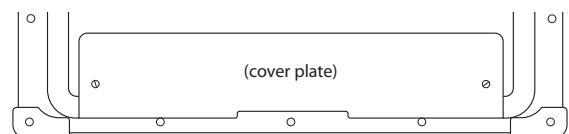
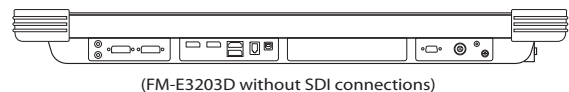
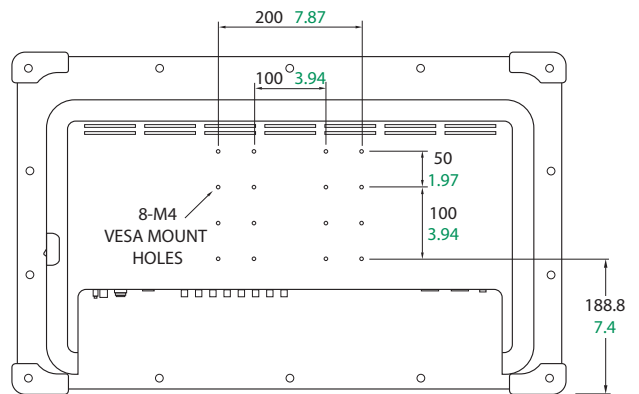
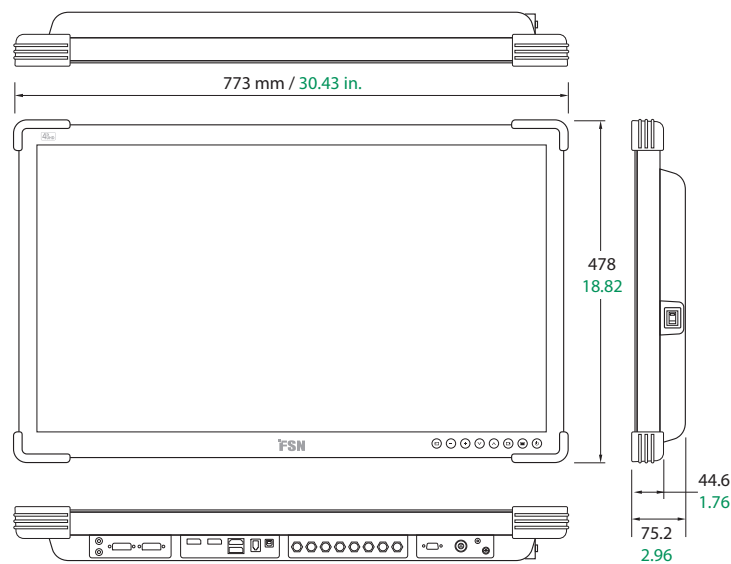


Specifications

General Features

Item	Description
Panel	32 inch TFT LCD (LED)
Resolution	3840 x 2160 pixels
Aspect Ratio	16 : 9
Active Area	708.48 (H)mm x 398.82 (V)mm
Pixel Pitch (mm)	0.1845 x 0.1845
Response Time (typical)	8 ms (rise time)
Number of Colors	1.07 Billion
Brightness (typical)	700 cd/m ²
Calculated Gamut	136.8% of BT.709
Contrast Ratio (typical)	1350 : 1
Surface Treatment	Anti-glare
Viewing Angle (CR>10)	R/L 178°, U/D 178°
Input Signal	1 x HDMI 2.0
	2 x DP 1.2 (SST)
	1 x DVI (single link)
	4 x SDI (3G), 2 x SDI (12G) available on FM-E3203DG

Item	Description
Output Signal	1 x DP 1.2 (SST)
	1 x DVI (single link)
	4 x SDI (3G), 2 x SDI (12G) available on FM-E3203DG
Power Supply	AC/DC Adaptor (AC 100~240V, DC 24V/6.6A)
Power Consumption	FM-E3203D 105W max FM-E3203DG 125W max
Accessories Included	User manual, AC-DC adaptor, AC power cord, DP cable, HDMI cable, DVI-D cable, BNC cable (SDI models), Screw BH M4 x 14
Latency	9 ms
Unit Dimension	773(W) x 478(H) x 75.2(D) mm 30.43(W) x 18.82(H) x 2.96(D) inch
Package Dimension	914.4(W) x 749.3(H) x 234.95(D) mm 36(W) x 29.5(H) x 9.25(D) inch
IP Rating	IP33 - overall, IP44 - front side only
IK Rating	IK07 with 5H AR glass
Weight	FM-E3203D 11.56 kg, 25.49 lbs. (monitor with cover) 16.83 kg, 37.10 lbs. (shipping package)
	FM-E3203DG 11.80 kg, 26.01 lbs. (monitor with cover) 17.5 kg, 38.58 lbs. (shipping package)
Certifications	ANSI/AAMI ES60601-1 (UL60601-1), CAN/CSA C22.2 No. 60601-1, FCC Class B, EN60601-1, EN60601-1-2, CE, MDD(93/42/EEC) Class I Medical Device



FSN's optical bonding process (right) improves contrast ratio and brightness, and increases humidity resistance and breakage resistance.

FSN Medical Technologies products meet RoHS2 and Registration, Evaluation, Authorisation and Restriction of Chemicals (REACH) obligations. FSN manages the information flow as required by regulations.